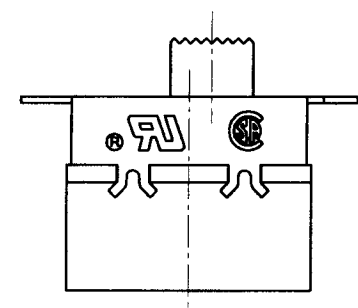
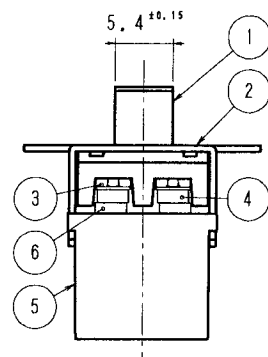
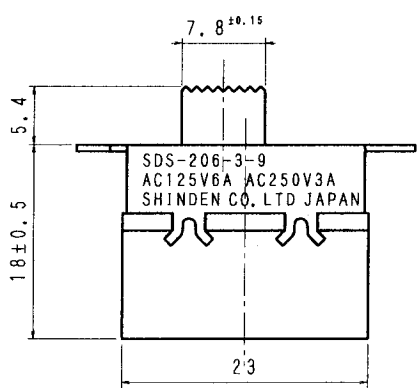
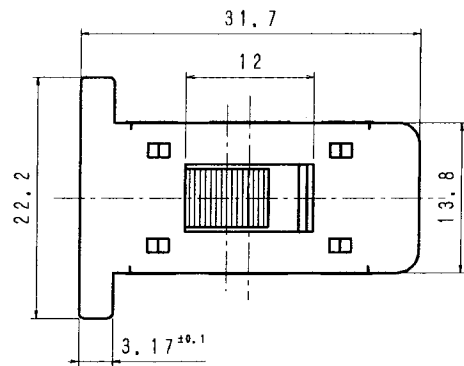


品番 No.	品名 PARTS NAME	材質 MATERIAL	表面処理 FINISH	個数 Q'TY
1	KNOB	POLYCARBONATE		1
2	FLAME	CARBON STEEL	ELECTROLYTIC ZINC-COATED	1
3	SPRING	PHOSPHOR BRONZE		2
4	CONTACT PLATE	COPPER	Ag-PLATED	2
5	CASE	POLYAMIDE		1
6	ROCK TERMINAL	COPPER ALLOY	Ag-PLATED	6

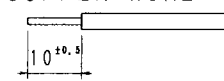
[SPECIFICATIONS]

- RATING AC125V6A, AC250V3A
- CIRCUIT
- ELECTRICAL STRUCTURE
 - 3-1 CONTACT RESISTANCE LESS THAN 20mΩ
 - 3-2 INSULATION RESISTANCE MORE THAN 100MΩ, ON DC500V.
 - 3-3 DIELECTRIC STRENGTH AC1000V, FOR 1MIN
 - 3-4 ENDURANCE 6000CY
- MECHANICAL STRUCTURE
 - 4-1 OPERATION 2~12.7N (200~1300g)
- APPROVED UL No. E66008
CSANo. LR46721
- RE: HOW TO SOLDER
SOLDERING SHOULD BE DONE WITH AN IRON OF THE TEMPERATURE BETWEEN 30W AND 40W, WITHIN 3 SECONDS.
- LOADING
REGARDING TO THE LAMP LOADING AND THE LOADING OF POWER FACTOR RATIO UNDER 60%, BOTH LOADING SHOULD BE CONFIRMED WITH THE REAL EFFECTIVE LOADING.

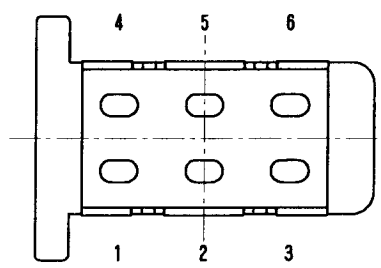
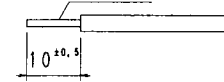


WIRING

AWG18 COPPER WIRE



STRANDED COPPER WIRE SOLDER



單位 m/m	第三角法 3RD ANGLE PROJECTION	尺度 2/1	普通寸法差 TOLERANCE UNLESS SPECIFIED ± 0.3	品番	3 5 0 3 0 4	
DIMENSION	製圖 DRAWN	設計 DESIGNED	照合 CHECKED	承認 APPROVED	品名	
					TITLE	SLIDE SWITCH
年月日 年月日 年月日 年月日					圖番	SDS-206-3-9#1AC
SHINDEN CO., LTD.						